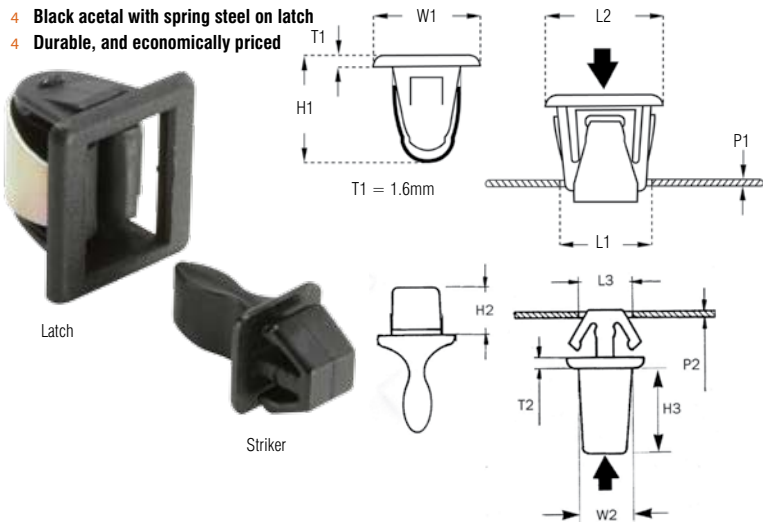


LATCH & STRIKER

- 4 Black acetal with spring steel on latch
- 4 Durable, and economically priced



LATCH

XLAT

PART NO	P1	L1	W1	L2	H1	F1*	F2*
XLATNL010	0.9-1.5	13.1x16.8	18.3	19.8	16.6	17	40
XLATNL020	0.9-1.5	13.1x16.8	18.3	19.8	16.6	18	32
XLATNL030	0.9-1.5	13.1x16.8	18.3	19.8	16.6	39	76
XLATNL040	1.7-2.0	14.7x16.8	19.1	20.6	16.5	24	60

*F1 - pull-out load for XST010
*F2 - pull-out load for XST020

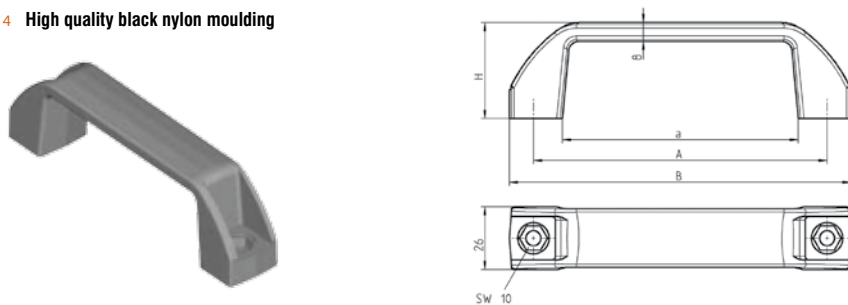
STRIKER

XLAT

PART NO	W2	H2	T2	H3	L3	P2
XST010	7.9	7.1	1.3	12.7	7.5 x 6.8	0.5 - 1.0
XST020	7.1	4.8	1.3	21.8	7.5 x 6.7	0.8 - 1.5

IO95 SERIES DEE HANDLE/PULL

- 4 High quality black nylon moulding



We are able to supply a vast range of handles and pulls in many different sizes, patterns and materials. Please let us have your specific enquiry for which we will be pleased to quote.

IO95

THROUGH HOLE FOR HEX HD OR SOCKET HD SCREW M6

PART NO	a	A	B	H
E1095-05	98	122	142	40
E1095-19	118.5	152	167	53.5

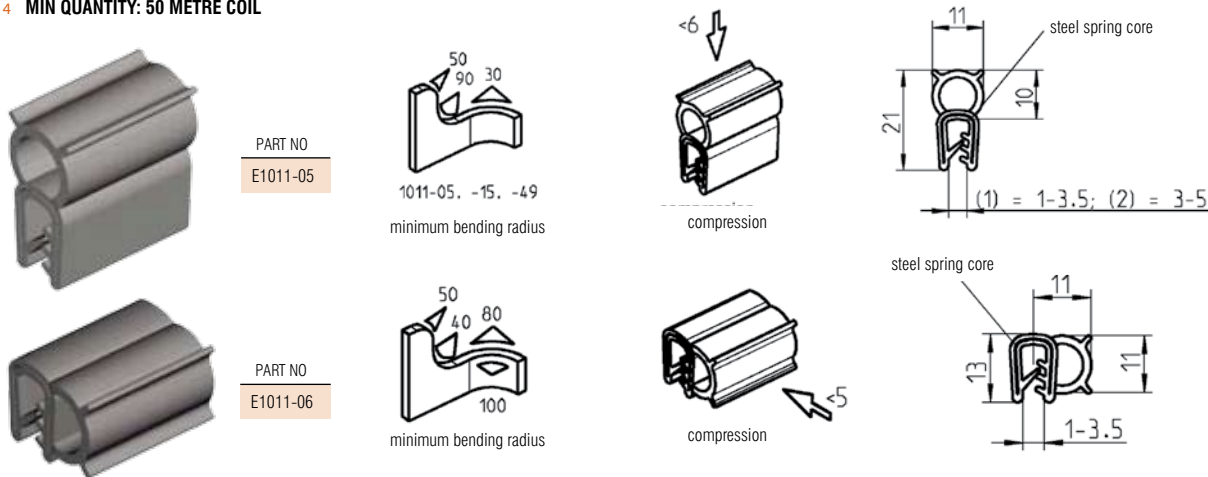
IO95

THROUGH HOLE FOR CSK SCREW M5 OR 4.8MM DIA RIVET

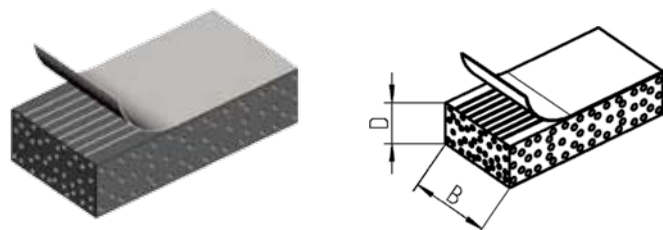
PART NO	a	A	B	H
E1095-06	98	122	142	40

IO11 SERIES SELF-GRIPPING GASKETING

- 4 MATERIAL: EPDM 65 ± 5 SHORE BLACK
- 4 MIN QUANTITY: 50 METRE COIL



IO16 SERIES SELF ADHESIVE CLOSED CELL NEOPRENE



Many other profiles and sizes of gasketing and self-adhesive strip are available
PLEASE ENQUIRE!

IO16

PART NO	B	D	COIL LENGTH
E1016-61	10	3	10M
E1016-62	10	4	10M
E1016-63	10	5	10M
E1016-64	15	3	10M
E1016-65	15	4	10M
E1016-67	20	3	10M
E1016-68	20	4	10M
E1016-69	20	5	10M