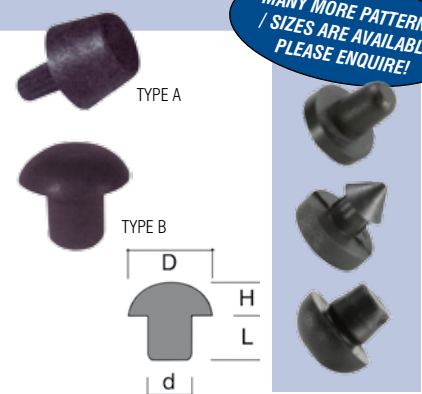


## PUSH IN BUFFER FEET

- 4 Neat and easily fixed cushioned buffer feet for apparatus
- 4 Standard material: polyethylene (PE), PVC, EVA.
- 4 Standard colour: black (others available)

MANY MORE PATTERNS / SIZES ARE AVAILABLE PLEASE ENQUIRE!

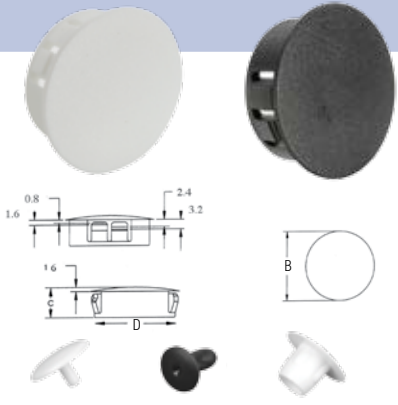


MP							
d	D	H	L	TYPE	MATERIAL	PART NO	
3.5	7	1.5	5	A	PE/PVC	MPA035/70**	
4	12	1.5	7.5	A	PVC	MPA040/12PV	
4.2	11	7	10	A	PVC	MPA042/11PC	
5	9	4	6	B	PE/PVC	MPB050/09**	
5.8	12	3	7	A	PE	MPA058/12PE	
6	12	3.8	9	A	PE/PVC	MPA060/12**	
6	14	8	15	B	PE/PVC	MPB060/14**	
6	16	11	12	A	PE	MPA060/16PE	
7.8	14	3	8.5	A	PE	MPA078/14PE	
8	11	2.5	6	B	PVC	MPB080/11PC	
9	14	5	6	B	PE/PVC	MPB090/14**	
10	20	9	10	B	PE/PVC	MPB100/20PC	

All dims in MM  
\*\* - add material

## SNAP-IN HOLE PLUGS

- 4 Spring mechanism in shank to lock plug into aperture
- 4 Standard material: Black or white nylon
- 4 Low profile matt finish head nylon



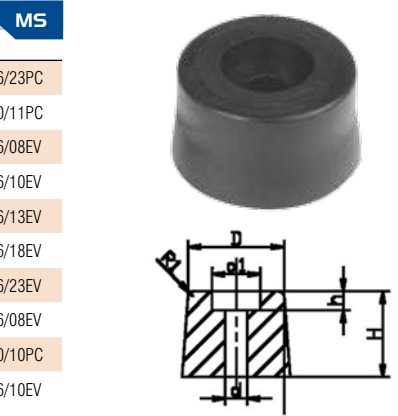
MH			
D MM	B MM	C MM	PART NO
4.8	6.4	5.9	MH048
6.4	8.0	8.0	MH064
8.0	9.5	8.0	MH080
9.5	12.0	10.3	MH095
11.0	13.5	10.3	MH110
12.7	14.6	10.3	MH127
14.3	16.7	10.3	MH143
15.9	18.2	10.3	MH159
17.5	20.0	10.3	MH175
19.0	23.2	10.3	MH190
20.6	22.6	10.3	MH206
22.2	25.8	11.5	MH222
25.4	30.5	11.5	MH254
28.5	31.0	11.5	MH285
30.1	33.3	11.5	MH301
32.0	34.9	11.5	MH320
35.0	38.0	11.5	MH350
38.0	42.7	11.5	MH380
45.0	48.4	11.5	MH450
51.0	55.0	11.5	MH510

All dims in MM

Many patterns of cheap and simple polyethylene hole plugs are available for hole sizes 2.8 - 13.0mm. Please enquire!

## SCREW IN BUFFER FEET

- 4 Standard colour: black (most EVA patterns also in white)
- 4 Standard material: PVC, EVA, polyethylene (PE)
- 4 Recessed hole for screw fixing.

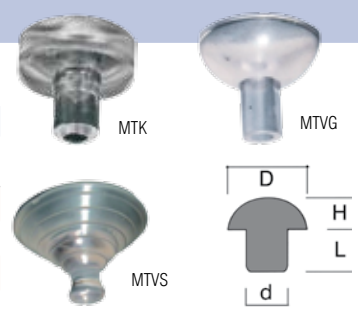


MS							
D	d	H	d1	h	MATERIAL	PART NO	
13.0	3.0	6.0	6.0	4.0	PVC	MS130/30/06PC	
15.0	4.1	8.0	7.5	4.0	PE	MS150/41/08PE	
15.0	4.1	10.0	7.5	4.0	EVA/PE	MS150/41/10**	
18.0	2.0	8.0	7.0	5.0	PVC	MS180/20/08PC	
18.5	3.0	18.0	8.0	6.0	PVC	MS185/30/18PC	
19.0	3.0	10.0	8.5	5.0	PVC	MS190/30/10PC	
19.0	3.0	13.0	7.5	6.0	PVC	MS190/30/13PC	
20.0	4.6	10.0	10.1	4.0	EVA	MS200/46/10EV	
20.0	4.6	13.0	10.1	4.0	EVA	MS200/46/13EV	
20.0	4.6	18.0	10.1	4.0	EVA	MS200/46/18EV	
20.0	4.6	23.0	9.0	7.0	PVC	MS200/46/23PC	
21.5	3.0	11.0	8.5	6.0	PVC	MS215/30/11PC	
22.0	4.6	8.0	10.1	4.0	EVA	MS220/46/08EV	
22.0	4.6	10.0	10.1	4.0	EVA	MS220/46/10EV	
22.0	4.6	13.0	10.1	4.0	EVA	MS220/46/13EV	
22.0	4.6	18.0	10.1	4.0	EVA	MS220/46/18EV	
22.0	4.6	23.0	10.1	4.0	EVA	MS220/46/23EV	
25.0	4.6	8.0	10.1	4.0	EVA	MS250/46/08EV	
25.0	2.0	10.0	10.0	6.0	PVC	MS250/20/10PC	
25.0	4.6	10.0	10.1	4.0	EVA	MS250/46/10EV	

\*\* - add material All dims in MM

## TRANSPARENT GLASS BUFFERS

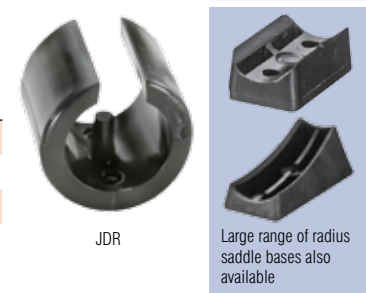
- 4 Ideal for supporting glass shelves and tops
- 4 Material: soft PVC
- 4 Provide slight suction action to locate glass securely



MT														
d	D	H	L	PART NO (TYPE)	d	D	H	L	PART NO (TYPE)	d	D	H	L	PART NO (TYPE)
5	8	4	8	MTK08/0408	8	15	5	8	MTK15/0508	6	20	10	4	MTVS200/1006
5/4	11	4	10	MTK11/0405	6	15	6	10	MTVG15/0406	7	25	12	5	MTVS250/1207
5	15	5	5	MTK15/0505	6	20	6.5	10	MTVG20/0606	8	30	13	5	MTVS300/1308

## EXTERNAL FITTING SADDLE FEET

- 4 Integral peg locates in pre-drilled hole to provide secure location



JDR			
TUBE SIZE INCHES / MM	PART NO	TUBE SIZE INCHES / MM	PART NO
14 - 16mm	JDR140	20 - 22mm	JDR200
16 - 18mm	JDR160	7/8 - 1	JDR254
18 - 20mm	JDR180	7/8 - 1*	JDR22254N
		24 - 26mm	JDR240
		28 - 30mm	JDR280
		1.1/4	JDR317

\*No peg

Large range of radius saddle bases also available